



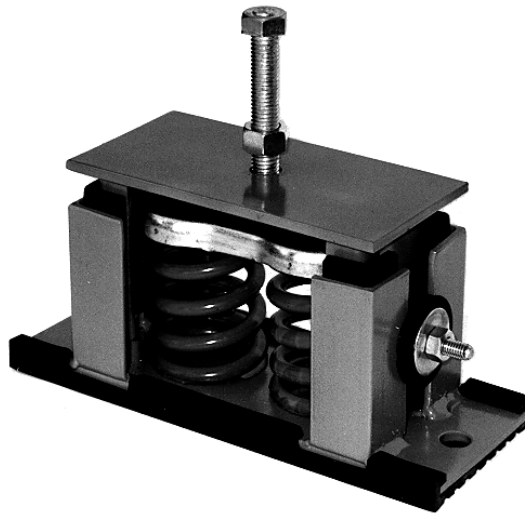
SERIES 170

ALL PURPOSE

SPRING ISOLATORS

With Adjustable Snubbers

CATALOG NO. 95A-1020-D



Material Specifications

Housings: A-36

Leveling Bolts: A-325

Spring: ASTM 229
oil tempered
and alloy wire

Elastomer: Neoprene

Superior Isolation Efficiency: Series "170" spring isolator provides static deflection of 1 inch. As a result, it eliminates bolting equipment to floor in many applications, improves working conditions, reduces building and machine maintenance.

Lateral Stability: Elastomer cushioned housing and adjustable snubbers provide damping and control excessive horizontal and vertical movement.

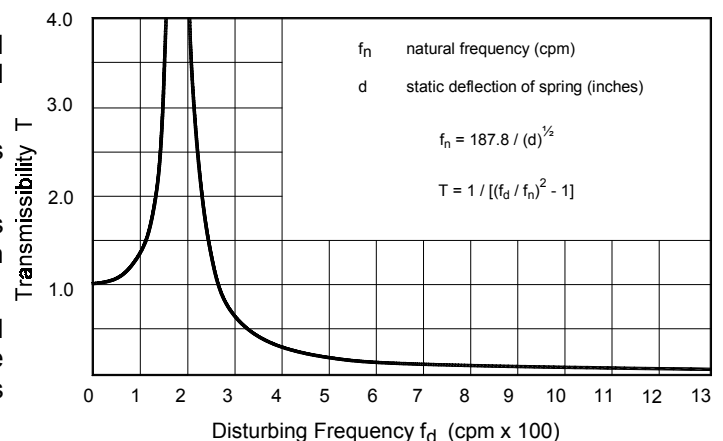
Safe and Compact: All welded steel housing assures strength and weight saving advantages.

East to Install: Built-in leveling bolt eliminates shimming in all applications, and saves installation cost.

Effective Noise Reduction: The elastomeric pad effectively interrupts structure-borne noise transmission paths to prevent noise amplifications caused by sounding-board effect.

Variations Available: Internal level adjustment and special modifications are available.

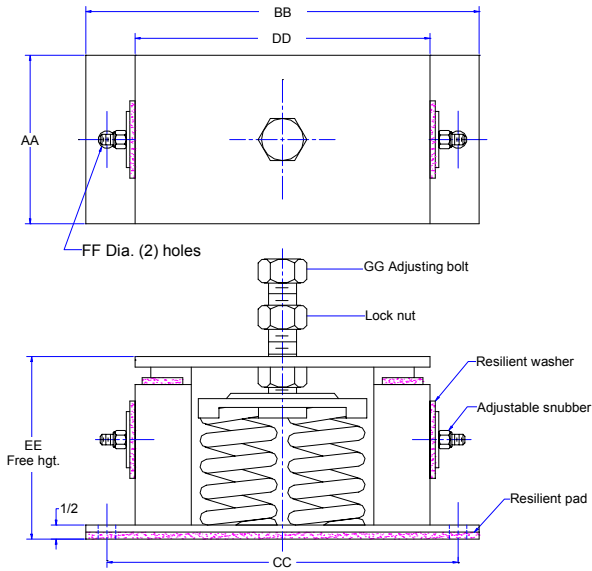
TRANSMISSIBILITY vs FREQUENCY



ACE MOUNTINGS CO., INC.

11 Cross Avenue
South Amboy, NJ 08879
Tel: (732)721-6200 Fax: (732)721-5005
Email: acemount@att.net
Website: www.acemount.com

Dimensions • Load Rating • Installation Procedures



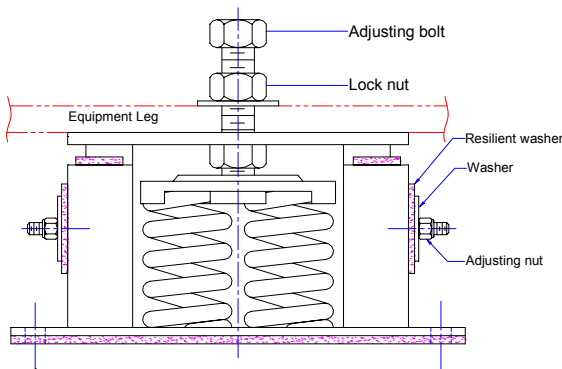
Size	Color of Spring	171		172		174		Defl. (inches)
		Rate (lbs/in)	Max. Load (lbs)	Rate (lbs/in)	Max. Load (lbs)	Rate (lbs/in)	Max. Load (lbs)	
A	Gray	100	150	200	300	400	600	1.5
B	Tan	200	260	400	520	800	1040	1.3
C	Yellow	335	435	670	870	1340	1740	1.3
D	Green	500	550	1000	1100	2000	2200	1.1
E	Red	780	780	1560	1560	3120	3120	1.0
F	Silver	1070	1070	2140	2140	4280	4280	1.0
G	Brown	1400	1400	2800	2800	5600	5600	1.0
H	Black	1800	1800	3600	3600	7200	7200	1.0
K	Blk & *Yel	2500	2500	5000	5000	10000	10000	1.0

* Inner spring

Type	Dimensions in Inches (mm)							Qty of Spring	Sh. Wt. (lbs)
	AA	BB	CC	DD	EE	FF	GG		
171	4 (102)	7-1/2 (191)	6 (152)	4 (102)	6 ± 1/2 (152 ± 13)	11/16" for 1/2 Bolt	5/8"-11 x 4	1	12
172	4 (102)	11-1/2 (292)	10 (254)	8 (203)	6 ± 1/2 (152 ± 13)	11/16" for 1/2 Bolt	5/8"-11 x 4	2	18
174	6 (152)	14 (356)	12-1/2 (318)	10-1/2 (267)	6-1/2 ± 1/2 (165 ± 13)	11/16" for 5/8 Bolt	* *	4	32

* 1"-8 x 5" or 3/4"-10 x 5" leveling bolt

INSTALLATION PROCEDURES



1. Elevate equipment base to 6-1/2" off the foundation surface. Insert blocks to hold this position in place. Secure isolators to foundation with 1/2" anchor bolts.
2. insert adjusting bolt through equipment leg with lock nut in place and into threaded hole in isolator top housing.
3. Adjust isolators by turning adjusting bolt CW several turns at a time alternately on each isolator until equipment is raised uniformly off all blocks.
4. Level equipment with adjusting bolt. Tighten lock nut firmly in place against the top of the equipment leg.
5. Snubber adjustment:
 - a. Loose adjusting nut.
 - b. Tighten adjusting nut 1/2 a turn after it is in contact with washer.
6. Isolators are now properly adjusted and ready for equipment to be operated.

ACE MOUNTINGS CO., INC.

11 Cross Avenue
 South Amboy, NJ 08879
 Tel: (732)721-6200 Fax: (732)721-5005
 Email: acemount@att.net
 Website: www.acemount.com