



CATALOG NO. 94A-871-G

Series 810-2

2" High Deflection SPRING ISOLATORS

with Vertical Limit Stop



Type 812-2

Material Specifications

Housings: A-36

Threaded Parts: A-307 & A-325

Springs: ASTM 229

Oil tempered wire

Elastomer: Neoprene

Seismic Rating: Zone 2

Superior Isolation Efficiency: Series "810-2" spring isolators consist of welded housings and 2 inch deflection spring elements to provide excellent isolation of vibration over a wide frequency range.

Lateral Stability: Free -standing springs are laterally stable and designed to provide 50% overload capacity.

Vertical Limit Stops: Adjustable vertical limit stops control vertical and lateral movement of isolated equipment due to load change, and lateral seismic load.

Easy To Install: Built-in leveling bolt eliminates shimming during installations, saves time and labor.

Effective Noise Reduction: The neoprene pad effectively interrupts structure-borne noise transmission paths to prevent noise amplification caused by sounding-board effect. Pad can be attached beneath the base plate or between springs and base plate.

Applications: The high deflection spring isolators are ideal for roof top, upper floor, hospital and low speed machineries installations where vibration and noise must be kept at a very low level.

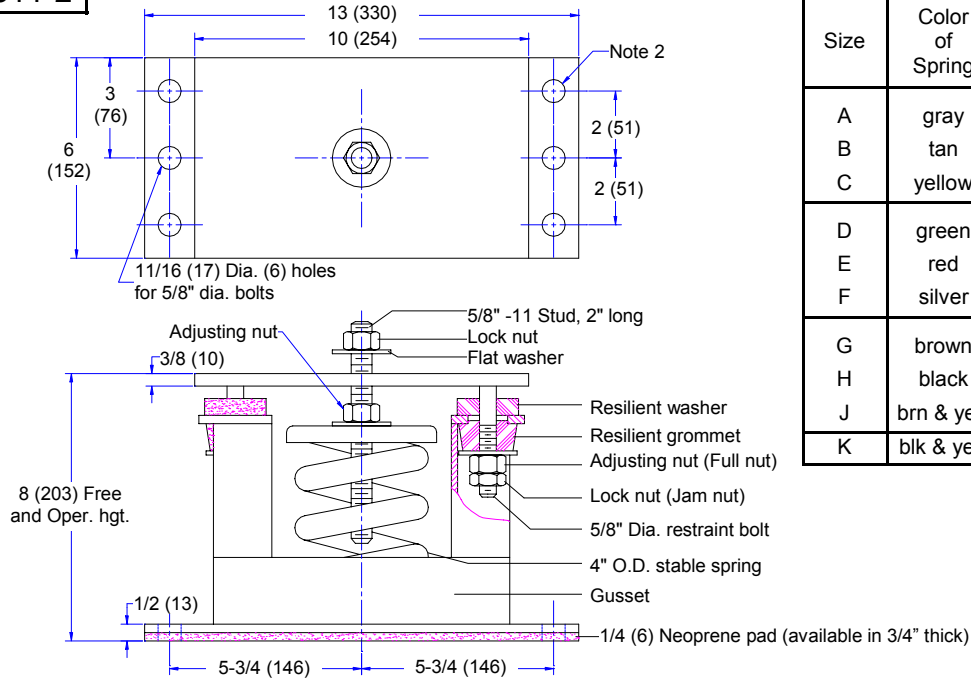
ACE MOUNTINGS CO., INC.

11 Cross Avenue
South Amboy, NJ 08879
Tel: (732)721-6200 Fax: (732)721-5005
Email: acemount@worldnet.att.net
Website: www.acemount.com

DIMENSIONS & LOAD CAPACITIES

94A-871-2-G

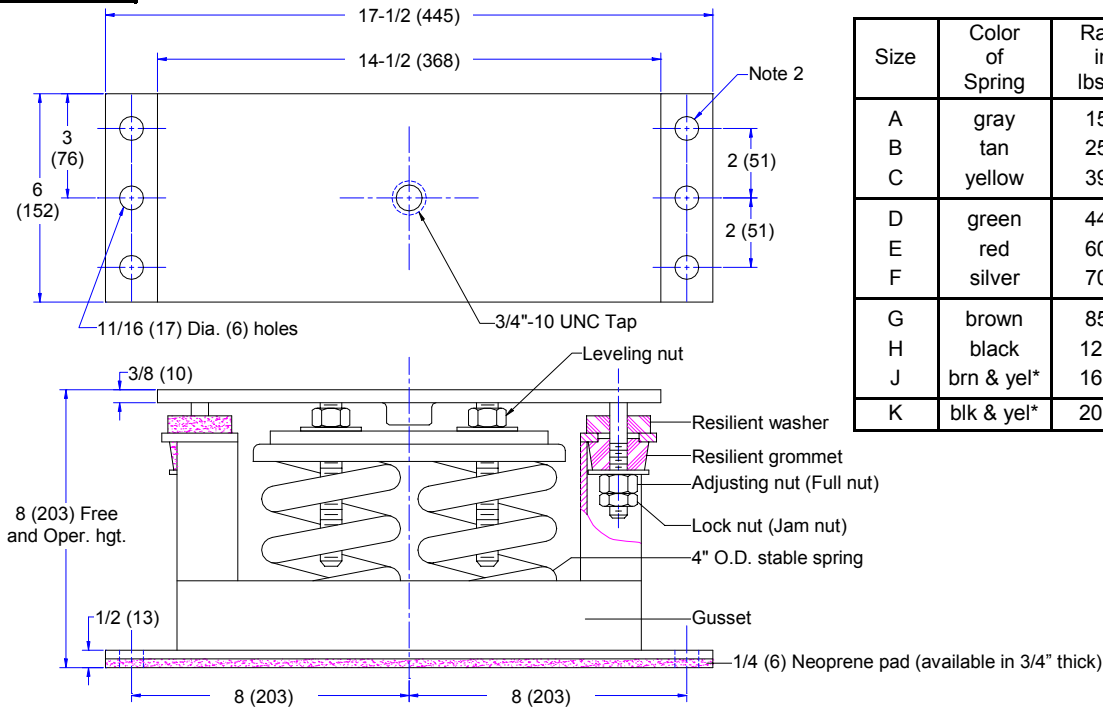
Type 811-2



Size	Color of Spring	Rate in lbs/in	Load in lbs.	
			1.5"	2.0"
A	gray	75	100	150
B	tan	125	150	250
C	yellow	195	290	390
D	green	220	330	440
E	red	300	450	600
F	silver	350	525	700
G	brown	425	635	850
H	black	600	900	1200
J	brn & yel*	825	1240	1650
K	blk & yel*	1000	1500	2000

*Inner spring

Type 812-2



Size	Color of Spring	Rate in lbs/in	Load in lbs.	
			1.5"	2.0"
A	gray	150	225	300
B	tan	250	375	500
C	yellow	390	585	780
D	green	440	660	880
E	red	600	900	1200
F	silver	700	1050	1400
G	brown	850	1270	1700
H	black	1200	1800	2400
J	brn & yel*	1650	2475	3300
K	blk & yel*	2000	3000	4000

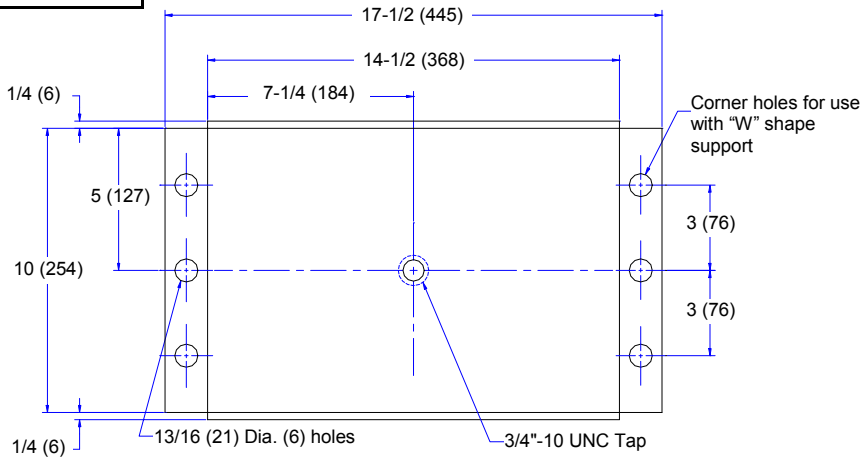
*Inner spring

2. For use with "W" shape support.
Note: 1. All dimensions are in inches (mm).

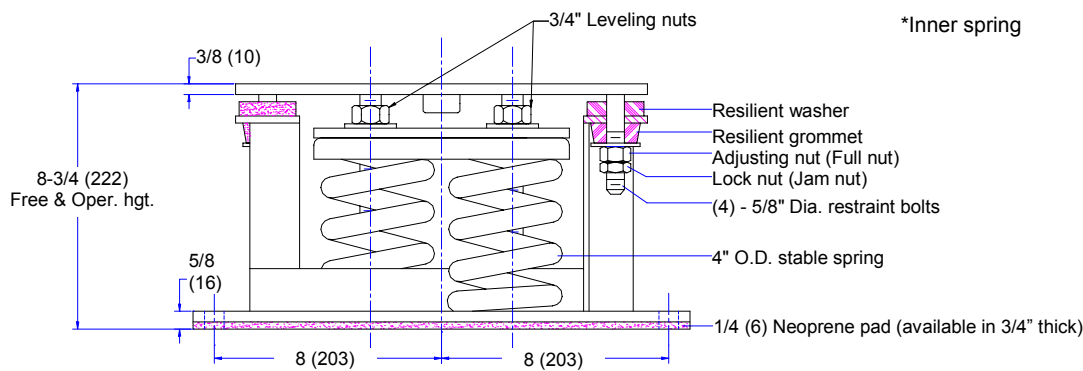
ACE MOUNTINGS CO., INC.

11 Cross Avenue
South Amboy, NJ 08879
Tel: (732)721-6200 Fax: (732)721-5005
Email: acemount@worldnet.att.net
Website: www.acemount.com

Type 814-2



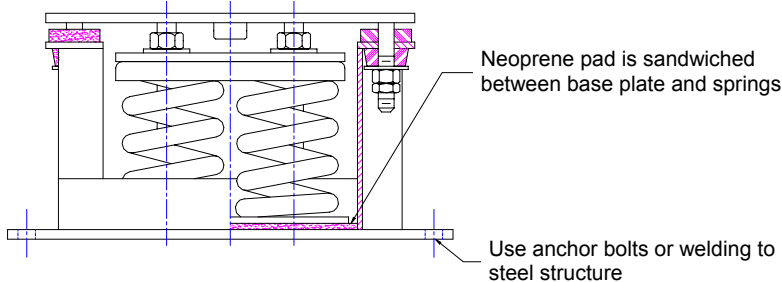
Size	Color of Spring	Rate in lbs/in	Load in lbs.	
			1.5"	2.0"
A	gray	300	450	600
B	tan	500	750	1000
C	yellow	780	1170	1560
D	green	880	1320	1760
E	red	1200	1800	2400
F	silver	1400	2100	2800
G	brown	1700	2550	3400
H	black	2400	3600	4800
J	brn & yel*	3300	4950	6600
K	blk & yel*	4000	6000	8000



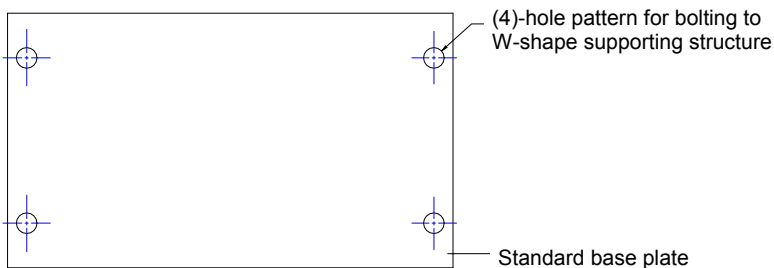
*Inner spring

OPTIONS

1. Seismic Applications:



2. W-shape Foundation:

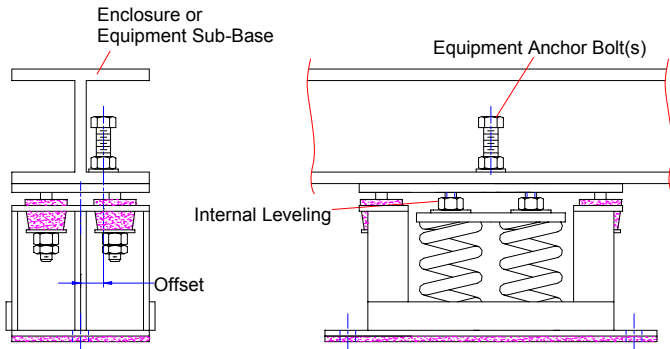


ACE MOUNTINGS CO., INC.

11 Cross Avenue
 South Amboy, NJ 08879
 Tel: (732)721-6200 Fax: (732)721-5005
 Email: acemount@worldnet.att.net
 Website: www.acemount.com

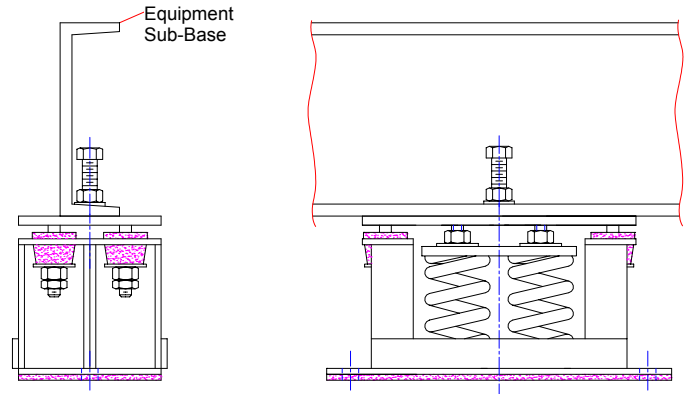
A. "W" Shape Base

Offset for equipment anchor bolt is required for centered load on spring isolator

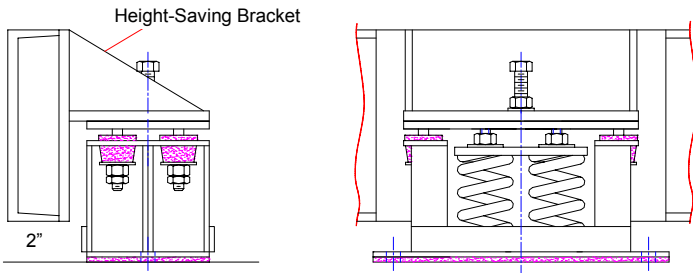


B. "C" Shape Base

No offset for equipment anchor bolt, internal or external leveling can be provided for spring isolator



C. Height-Saving Bracket



D. Custom Mounting Arrangement

