



ACEMOUNT®

CATALOG NO. 94A-867-F

Series 820

SPRING ISOLATORS

For Seismic Zone 2 Applications

Material Specifications

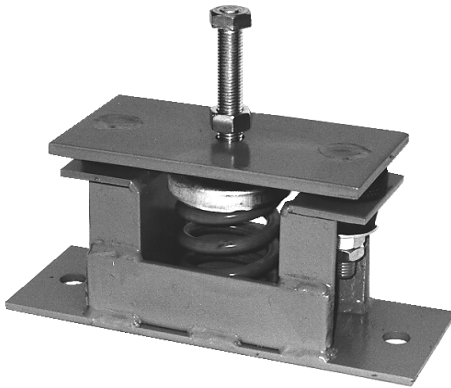
Housings: A-36 steel

Threaded Parts: grade 5 steel

Springs: ASTM-229, oil tempered wire

Elastomer: neoprene rubber

Made in USA



Type "821"



Type "822"

Seismic Zone 2 Capability: The housings and anchor bolts are optimally designed for seismic zone 2 applications.

Superior Isolation Efficiency: Series "820" spring isolators consist of welded housings and 1 inch deflection spring elements to provide excellent isolation of vibration over a wide frequency range.

Lateral Stability: Free-standing springs are laterally stable and designed to provide 50% overload capacity.

Vertical Limit Stops: Adjustable vertical limit stops control vertical and lateral movement of isolated equipment due to load change, and lateral seismic load.

Easy To Install: Built-in leveling bolt eliminates shimming in all applications, and save installation costs.

Effective Noise Reduction: The resilient washers under the springs effectively interrupt structure-borne noise transmission paths to prevent noise amplifications caused by sounding-board effect. The resilient washers replace the neoprene base pad to allow solid connections of anchor bolts and base plate.

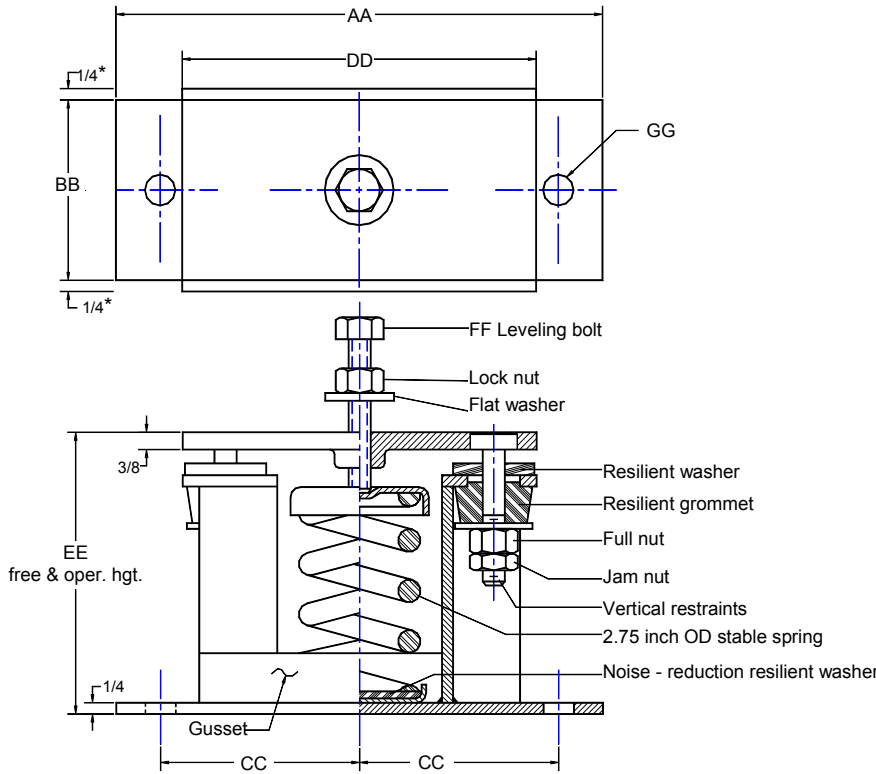
ACE MOUNTINGS CO., INC.

11 Cross Avenue
South Amboy, NJ 08879
Tel: (732)721-6200 Fax: (732)721-5005
Email: acemount@att.net
Website: www.acemount.com

MP950003

DIMENSIONS & LOAD CAPACITIES

- 821 single-spring unit
- 822 double-spring unit
- 824 four-spring unit



Note: * Type 824 only.

TYPE	DIMENSIONS IN INCHES						
	AA	BB	CC	DD	EE	FF	GG
821	11	4	4-1/2	8	6	5/8-11 x 4 UNC	11/16
822	14-1/2	4	6-1/4	11-1/2	6	5/8-11 x 4 UNC	11/16
824	14-1/2	6	6-1/4	12	6-1/2	**	13/16

** Available in 3/4-10 x 5 and 1-8 x 5

TYPE	COLOR OF SPRING	MAX. LOAD IN LBS.			DEFLECTION IN INCHES
		821	822	824	
A	gray	150	300	600	1.5
B	tan	260	520	1040	1.3
C	yellow	435	870	1740	1.3
D	green	550	1100	2200	1.1
E	red	780	1560	3120	1.0
F	silver	1070	2140	4280	1.0
G	brown	1400	2800	5600	1.0
H	black	1800	3600	7200	1.0
K	blk & yel	2500	5000	10000	1.0

ACE MOUNTINGS CO., INC.

11 Cross Avenue
 South Amboy, NJ 08879
 Tel: (732)721-6200 Fax: (732)721-5005
 Email: acemount@att.net
 Website: www.acemount.com