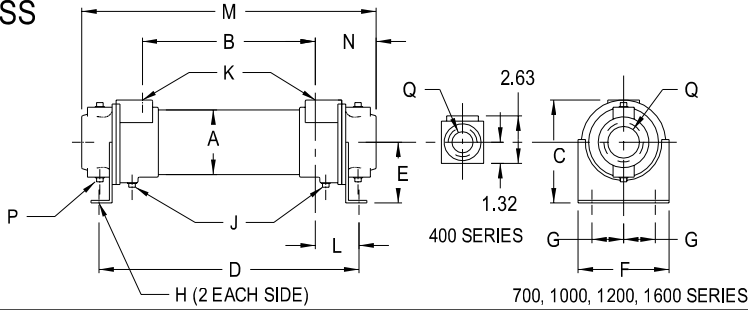
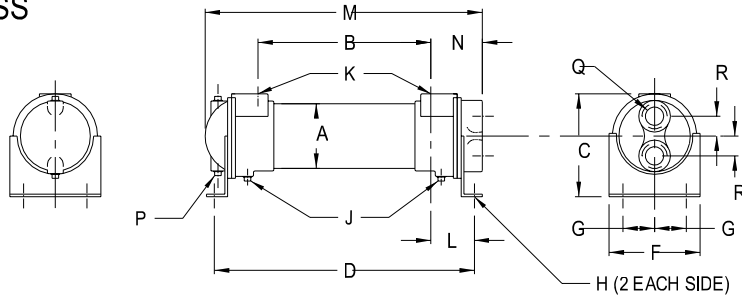


--CAB SERIES-- DIMENSIONS

SINGLE PASS

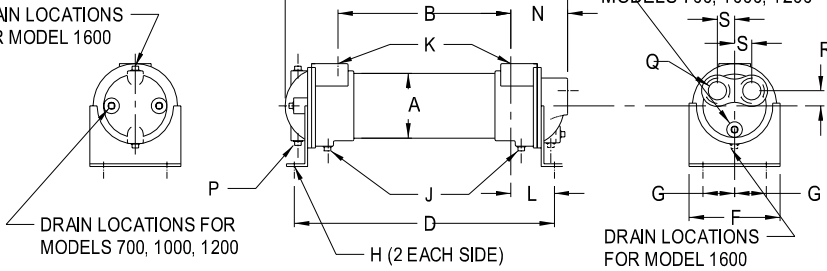


TWO PASS



FOUR PASS

DRAIN LOCATIONS FOR MODEL 1600



SINGLE PASS							
MODEL	M	N	P NPTF.	Q NPTF.			
CAB-401	11.24	1.81	—	1.00			
CAB-402	20.24						
CAB-701	13.47						
CAB-702	22.47	3.24	(4) 0.38	1.50			
CAB-703	31.47						
CAB-1002	23.60						
CAB-1003	32.60	4.05	(4) 0.38	2.00			
CAB-1004	41.60						
CAB-1005	50.60						
CAB-1202	24.38	4.88	(4) 0.50	3.00			
CAB-1203	33.25						
CAB-1204	42.12						
CAB-1205	51.12						
CAB-1206	60.25						
CAB-1207	69.25						
CAB-1208	78.12						
CAB-1602	26.62				6.13	(4) 0.50	4.00
CAB-1603	35.62						
CAB-1604	44.62						
CAB-1605	53.62						
CAB-1606	62.62						
CAB-1607	71.62						
CAB-1608	80.62						
CAB-1609	89.62						
CAB-1610	98.62						

TWO PASS									
MODEL	M	N	P NPTF.	Q NPTF.	R				
CAB-401	—	—	—	—	—				
CAB-402	—	—	—	—	—				
CAB-701	13.28	3.30	(2) 0.38	1.00	0.88				
CAB-702	22.28								
CAB-703	31.28								
CAB-1002	23.29	3.80	(2) 0.38	1.50	1.19				
CAB-1003	32.29								
CAB-1004	41.29								
CAB-1005	50.29								
CAB-1202	23.94								
CAB-1203	32.81	4.56	(2) 0.50	2.00	1.44				
CAB-1204	41.69								
CAB-1205	50.69								
CAB-1206	59.81								
CAB-1207	68.81								
CAB-1208	77.69								
CAB-1602	25.10					6.38	(2) 0.50	2.50	1.88
CAB-1603	34.10								
CAB-1604	43.10								
CAB-1605	52.10								
CAB-1606	61.10								
CAB-1607	70.10								
CAB-1608	79.10								
CAB-1609	88.10								
CAB-1610	97.10								

COMMON DIMENSIONS												
MODEL	A	B	C	D	E	F	G	H	L	J NPTF.	K NPTF.	WEIGHT (LBS.)
CAB-401	2.125	7.62	3.50	11.06	1.94	2.62	0.88	0.41 Dia.	1.72	—	0.50	7
CAB-402	16.62	20.06		10								
CAB-701	7.00	12.38	6.25	16.00	3.62	5.25	1.50	0.44x1.00	2.89	(2) 0.38	1.00	17
CAB-702	16.00	21.38		25								
CAB-703	25.00	30.38		30								
CAB-1002	15.50	21.62	7.38	24.50	4.00	6.75	2.00	0.44x1.00	3.06	(6) 0.38	1.50	40
CAB-1003	30.62	50										
CAB-1004	33.50	60										
CAB-1005	42.50	70										
CAB-1202	14.62	21.50		8.81								23.50
CAB-1203	30.38	70										
CAB-1204	32.38	90										
CAB-1205	41.38	110										
CAB-1206	50.50	130										
CAB-1207	59.50	150										
CAB-1208	68.38	170										
CAB-1602	13.60	22.38	12.10		22.60	6.50	8.62	3.50	0.44x1.00	4.39	(6) 0.38	3.00
CAB-1603	22.60	140										
CAB-1604	31.60	205										
CAB-1605	40.60	245										
CAB-1606	49.60	259										
CAB-1607	58.60	270										
CAB-1608	67.60	290										
CAB-1609	76.60	315										
CAB-1610	85.60	335										

FOUR PASS											
MODEL	M	N	P NPTF.	Q NPTF.	R	S					
CAB-401	—	—	—	—	—	—					
CAB-402	—	—	—	—	—	—					
CAB-701	13.42	3.24	(3) 0.38	0.75	0.62	0.88					
CAB-702	22.42										
CAB-703	31.42										
CAB-1002	23.55	4.06	(3) 0.38	1.00	0.75	1.34					
CAB-1003	32.55										
CAB-1004	41.55										
CAB-1005	50.55										
CAB-1202	24.44						4.90	(2) 0.38 (1) 0.50	1.50	1.12	1.40
CAB-1203	33.31										
CAB-1204	42.19										
CAB-1205	51.19										
CAB-1206	60.31										
CAB-1207	69.31										
CAB-1208	78.19										
CAB-1602	26.66	6.38	(3) 0.50	2.00	1.38	1.88					
CAB-1603	35.66										
CAB-1604	44.66										
CAB-1605	53.66										
CAB-1606	62.66										
CAB-1607	71.66										
CAB-1608	80.66										
CAB-1609	89.66										
CAB-1610	98.66										

All dimensions in inches. Zinc anodes optional.

NOTE: We reserve the right to make reasonable design changes without notice.