

APPLICATION

An excellent critical level silencer designed for extra heavy-duty applications. Ideal for heavy work marine, stationary, and mobile applications.

Typical Attenuation: 32 to 40 dB'A

INSTALLATION

May be installed in any position

CONSTRUCTION

Silencers feature heavy-duty, double shell, steel construction, which features compressed acoustical fiberglass inserted between the double shell. Packed shell can provide significant reduction in surface temperature depending on application and ambient conditions. Standard with male threaded pipe nipples on sizes through 3.5", and 125/150# steel plate flanges on 4" and up.

MATERIAL OPTIONS

A variety of material options are provided to satisfy most applications and budgets:

- C** Carbon Steel
- AS** Aluminized Shell
- AH** Aluminized Shell and Heads
- S** Stainless Steel

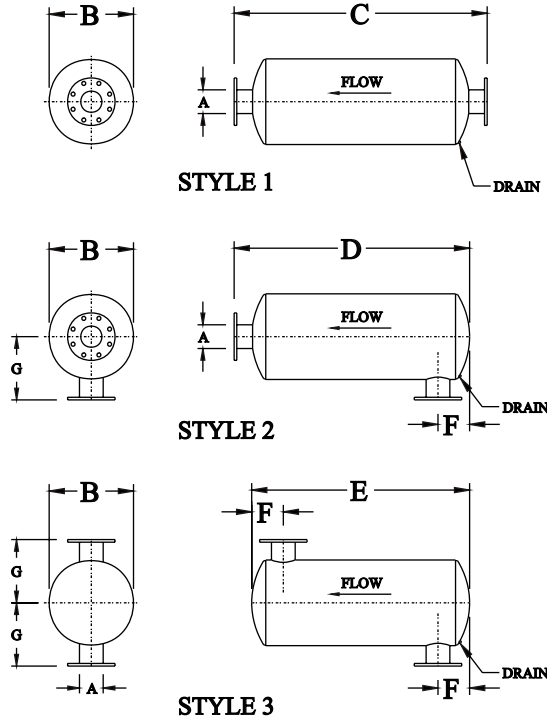
FINISH

Standard finish is high heat silicone black or aluminum, depending on material options. Consult factory for optional coatings.

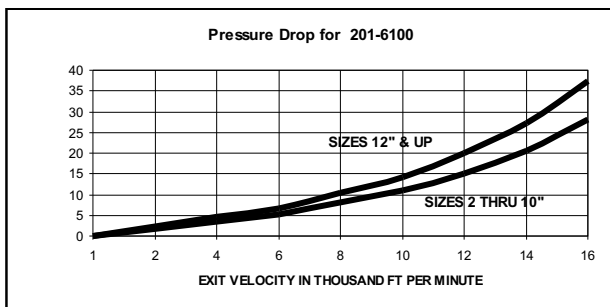
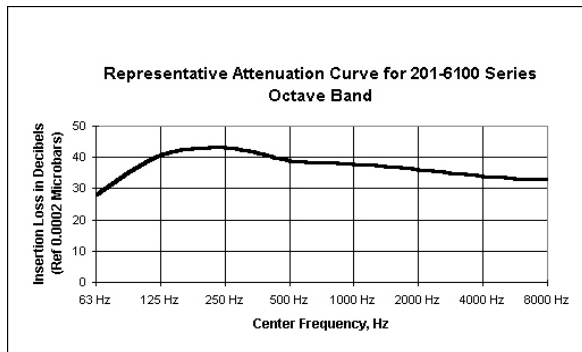
STAINLESS STEEL OPTIONS: 304, 316, & 316L

CUSTOM PRODUCTS

Special requirements? GT can customize its products to meet your Specifications.



Model	A SIZE	B DIA	C OAL-1	D OAL-2	E OAL-3	F MIN	F MAX	G	WT
201-6102	2	12	42	39	36	6	17	9	94
201-61025	2.5	12	42	39	36	6	17	9	96
201-6103	3	14	52	49	46	8	20	10	130
201-61035	3.5	16	61	57	53	8	28	12	152
201-6104	4	16	61	57	53	8	25	12	170
201-6105	5	20	74	71	68	10	30	14	240
201-6106	6	24	75	71	67	10	30	16	305
201-6108	8	26	100	96	92	10	40	17	455
201-6110	10	30	112	109	106	12	46	19	805
201-6112	12	36	138	134	130	14	45	22	1375
201-6114	14	42	164	162	160	16	58	25	2010
201-6116	16	45	165	162	159	18	57	27	2136
201-6118	18	48	177	174	171	20	56	29	2535
201-6120	20	54	179	176	173	22	56	32	3340
201-6122	22	60	205	202	199	24	68	35	3785
201-6124	24	62	205	202	199	26	67	36	3985



All dimensions are in inches.
 Inlet Sizes available up to 30.0"

ORDERING INFORMATION

When ordering, please place Material and Style Options as illustrated in the examples below:

- 201-6104-2-C** Carbon Steel Construction with Style 2 -- Side Inlet
- 201-6112-3-AS** Aluminized Shell with Style 3 -- Side Inlet (x) Side Outlet
- 201-6108-1-S** Stainless Steel with Style 1 -- End Inlet