

**APPLICATION**

Advanced design provides high attenuation and low back pressure in a compact size. Ideal for use where ambient noise levels are low. Our heavy duty compact are reduced in size and weight - compared to conventional silencers - which makes this series excellent for applications where weight and size are critical.

Typical Attenuation: 28 to 33 dB'A'

**CONSTRUCTION**

All welded heavy-duty steel construction. Silencers are internally insulated throughout with high density compressed acoustical fiberglass insulation. See below for connection options

**THERMAL PERFORMANCE**

The 301-6100 Series utilizes an acoustical and thermal insulated packed shell. The packed shell can provide significant reduction in the outer surface temperature depending on application and ambient conditions. This makes the 301 series an ideal choice for enclosures or small engine compartments. Additional outer thermal wraps are also available when lower surface temperatures are required. Consult factory for additional specifications.

**MATERIAL OPTIONS**

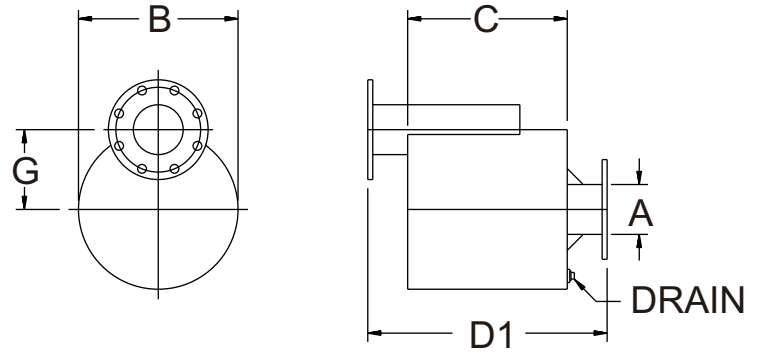
A variety of material options are provided to satisfy most applications and budgets:

- C Carbon Steel
- AS Aluminized Steel
- S Stainless Steel

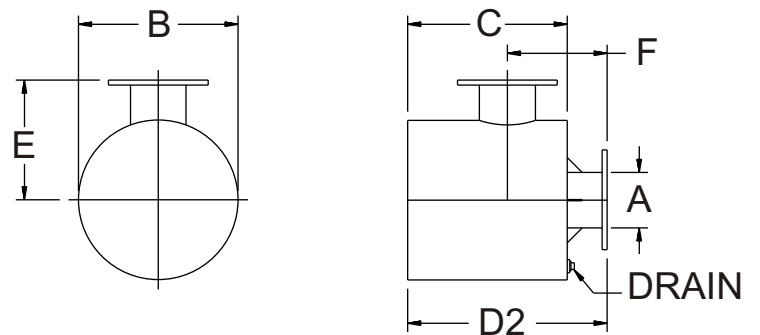
**FINISH**

Standard finish is high heat silicone black. Consult factory for optional coatings.

**STAINLESS STEEL OPTIONS:** 304, 316, & 316L



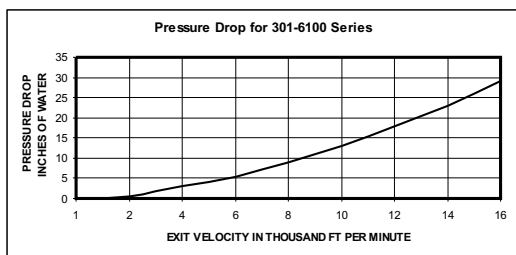
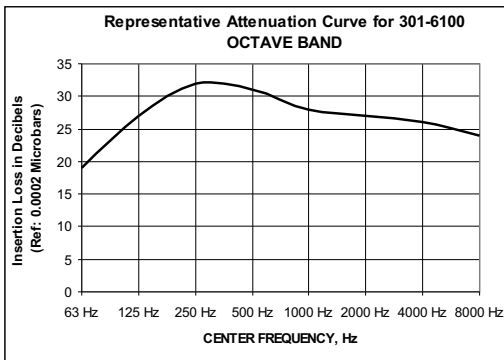
Style 1



Style 2

**CONNECTION OPTIONS**

- SIZES TO 3.5" O.D. OUTLET (x) ID
- SIZES 4" & UP INLETO.D. TUBE ENDS
- O.D. OUTLET (x) NPT INLET
- 125/150# ANSI FLANGES



MODEL	A SIZE	B DIA	C	D1 OAL	D2 OAL	E	F	G	WT
301-6102	2	10	10	16	13	8	10	5	30
301-61025	2.5	11	10	16	13	8	10	5	34
301-6103	3	12	12	18	15	9	11	6	43
301-61035	3.5	14	14	22	18	10.5	14	7	57
301-6104	4	16	14	22	18	11	14	8	72
301-6105	5	18	18	26	22	13	16	9	119
301-6106	6	20	20	28	24	14	18	10	154
301-6108	8	26	26	34	30	17	22	13	258
301-6110	10	32	36	44	40	20	30	16	432
301-6112	12	36	40	48	44	22	34	19	595
301-6114	14	38	42	50	46	23	34	22	680

**ORDERING INFORMATION**

When ordering, please place Material and Style Options as illustrated in the examples below:

- 301-T-6104-2-C Style 2, Carbon Steel with OD Tube Connection
- 301-F-6112-1-AS Style 1, Aluminized Steel with Ansi Flanges
- 301-C-6103-2-S Style 2, Stainless Steel with Cuffed Inlet

See price sheets for additional information.