

APPLICATION

New space conserving radial design is specifically engineered to provide a high degree of attenuation in a space saving, low profile size. Ideal for engine enclosures, trailers, marine, or any application in which overall height is critical and/or low radiated heat is necessary.

Typical attenuation : 30 - 36 dB'A'

CONSTRUCTION

All welded heavy duty steel with compressed thermal acoustical insulation is inserted between the double shell construction of the silencer. Silencers are standard with 125/150# ANSI flanged inlet and outlet.

THERMAL PERFORMANCE

The 401-6100 Series utilizes an acoustical and thermal insulated packed shell. In a typical exhaust gas application, thermal conductivity (K) of the standard 401 silencer body is approximately 0.5 BTU/ft²/°F. This combined with a high surface area emissivity yields a lower surface temperature. This makes the 401 series an ideal choice for enclosures or small engine compartments. Actual figures will vary depending on application and ambient conditions. Consult with factory for further specifications and surface temperature analysis.

Additional outer thermal wraps are also available when lower surface temperatures are required.

For lower surface temperatures, see the 401-C-6100 "cool series"

MATERIAL OPTIONS

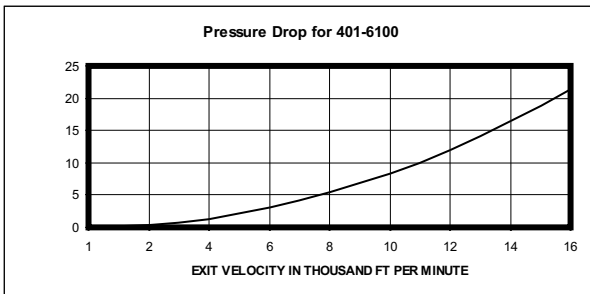
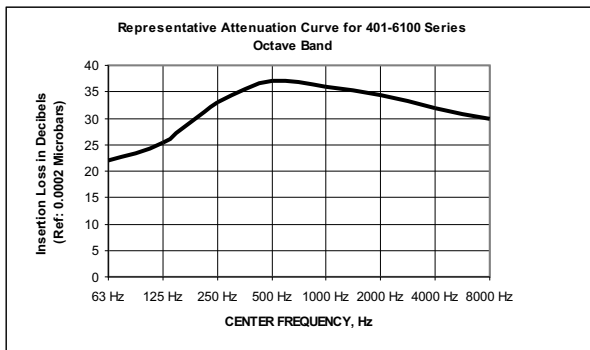
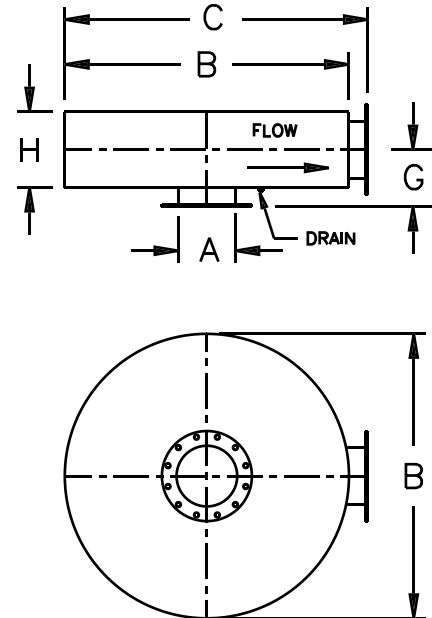
A variety of material options are provided to satisfy most applications and budgets:

- C** Carbon Steel
- AS** Aluminized Steel
- S** Stainless Steel

FINISH

Standard finish is high heat silicone black. Consult factory for optional coatings.

STAINLESS STEEL OPTIONS: 304, 316, & 316L



MODEL	A SIZE	B	C OAL	G	H BODY	BRACKETS	WT
401-6104	4	30	34	8	8	29-H-04	146
401-6105	5	30	34	8.5	9	29-H-05	175
401-6106	6	36	40	8.8	9.5	29-H-06	235
401-6108	8	50	54	9.5	11	29-H-08	492
401-6110	10	57	61	11	14	29-H-10	672
401-6112	12	68	72	12	16	29-H-12	908
401-6114	14	68	72	14.8	21.5	29-H-14	1039
401-6116	16	73	77	17	26	29-H-16	1238
401-6118	18	84	88	18	28	29-H-18	1597

ORDERING INFORMATION

When ordering, please place Material Option as illustrated in the examples below:

- 401-6110-C** Carbon Steel
- 401-6114-AS** Aluminized Steel
- 401-6108-S** Stainless Steel

When ordering brackets, please specify TOP or BOTTOM Mount

All dimensions are in inches.
Consult Factory for Larger Sizes