

APPLICATION

New space conserving radial design is engineered to provide a high degree of attenuation in a low profile size. Ideal for engine enclosures, trailers, marine, or any application in which overall height is critical and/or low radiated heat is critical. The cool series provides additional internal insulation for lower surface temperatures

Typical attenuation: 28-33 dB'A'

CONSTRUCTION

All welded heavy duty steel with 2 inches of compressed thermal acoustical insulation inserted between the double shell construction of the silencer. Silencers are standard with 125/150# ANSI flanged inlet and outlet.

THERMAL PERFORMANCE

The 401-C-5100 Series utilizes an acoustical and thermal insulated packed shell. In a typical exhaust gas application, thermal conductivity (K) of the standard 401 silencer body is approximately 0.5 BTU/ft2°F. The Cool Series (K) is approximately 0.25 BTU/ft2°F. This combined with a high surface area emissivity yields a significantly low surface temperature. Consult factory for further specifications and surface temperature analysis.

Additional outer thermal wraps are also available when lower surface temperatures are required.

MATERIAL OPTIONS

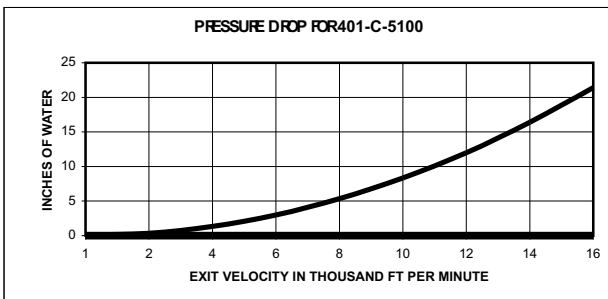
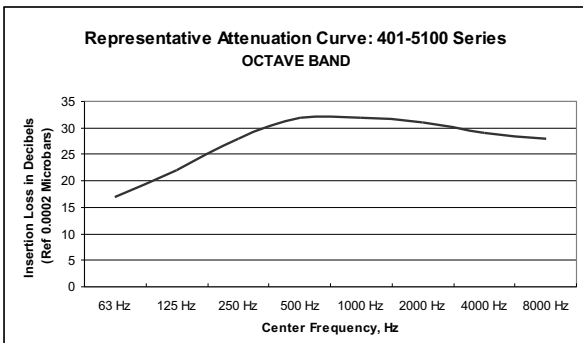
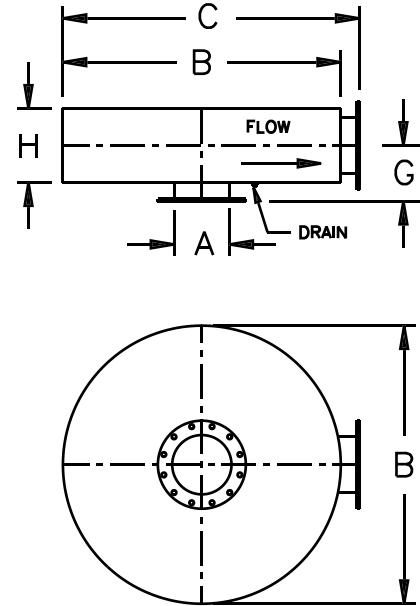
A variety of material options are provided to satisfy most applications and budgets:

- C Carbon Steel
- AS Aluminized Steel
- S Stainless Steel

FINISH

Standard finish is high heat silicone black. Consult factory for optional coatings.

STAINLESS STEEL OPTIONS: 304, 316, & 316L



All dimensions are in inches. Consult Factory for Larger Sizes

MODEL	A SIZE	B	C OAL	G	H BODY	BRACKETS	WT
401-C-5104	4	28	32	8.5	9	29-H-04	125
401-C-5105	5	29	33	9	10	29-H-05	160
401-C-5106	6	33	37	9.8	11.5	29-H-06	215
401-C-5108	8	45	49	10.5	13	29-H-08	375
401-C-5110	10	52	56	12	16	29-H-10	565
401-C-5112	12	62	66	13	18	29-H-12	800
401-C-5114	14	64.4	68.4	15.5	23	29-H-14	955
401-C-5116	16	74.4	78.4	16.5	25	29-H-16	1310
401-C-5118	18	84.6	88.6	17.5	27	29-H-18	1630

ORDERING INFORMATION

When ordering, please place Material Option as illustrated in the examples below:

- 401-C-5110-C Carbon Steel
- 401-C-5114-AS Aluminized Steel
- 401-C-5108-S Stainless Steel

When ordering brackets, please specify TOP or BOTTOM Mount