

LC

Low Cost Engine Start Charger



Premium Performance at a Low Price

- **Accurate charging** – delivers best battery performance and life in class
- **Automatic 2-rate charging** – offers fast charging and low water consumption
- **Temperature compensation** – eliminates the No. 1 cause of battery failure
- **Current limited** – protects charger from overloads
- **Anodized aluminum housing** – resists corrosion, runs cool

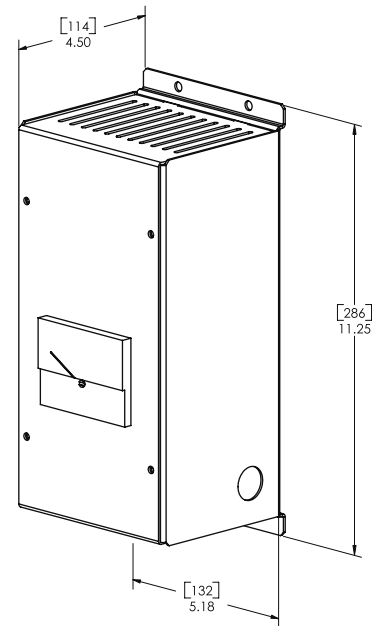


LC Charger Specifications

AC Input	120 VAC, 60 Hz
Charger Output	12 or 24 volts nominal. 3.5 amp electronic current limit. Dual-rate, temperature compensated charge characteristic. Line regulation $\pm 1\%$ of the correct temperature compensated value. Load regulation $\pm 1\%$ of the correct temperature compensated value.
Indication	Output ammeter, 2.5" scale 5% accuracy
Adjustment	Internal adjustment for float voltage. Equalize voltage is fixed approximately 5% above float
Protection	Electronic current limit (no crank disconnect required). AC input fuse, DC over current limiter
Environmental	-10C to +50C operating temperature. 5% to 95% humidity, non-condensing
Mechanical	Clear anodized aluminum, wall mounting
Agency compliance	C-UL-US listed to UL 1236 (required for UL 2200 gensets)

LC Charger Ordering Information

Output Volts	Output Amps	Model Number	Net Lbs	Weight Kg
12	3.5	LC12-500-2	7	3.1
24	3.5	LC24-500-2	8	3.6



Additional Information

Contact SENS or your local sales representative for additional specification, engineering and installation information. Check the SENS web site for latest available data. Specification is subject to change without notice.



Contact Information

For information and service on any SENS product, please contact us at:
 Sales 1.866.736.7872 • 303.678.7500 • Fax 303.678.7504
 www.sens-usa.com • info@sens-usa.com
 1840 Industrial Circle, Longmont, CO 80501 USA

