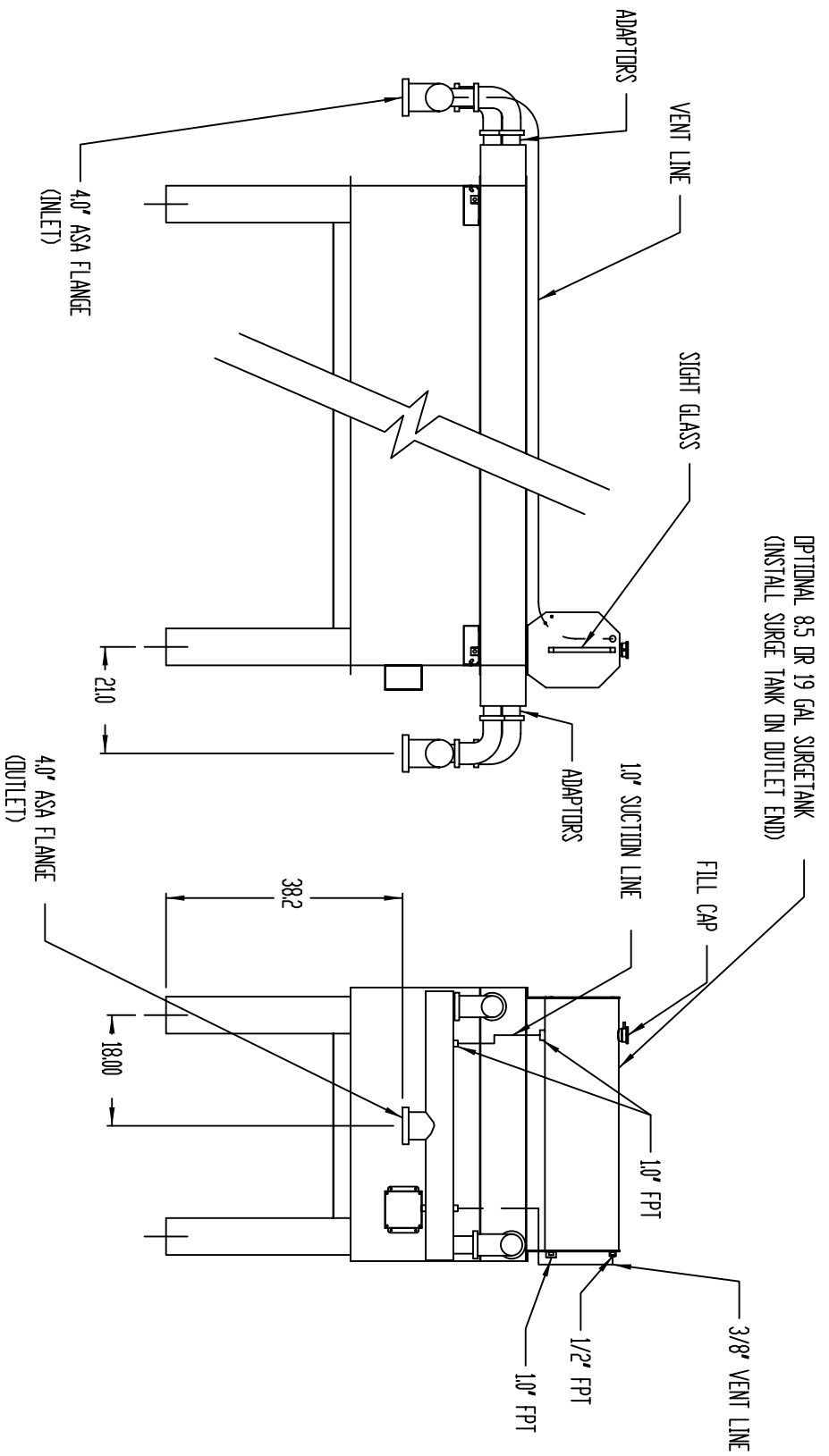


SURGE TANK & MANIFOLD KIT INSTALLATION



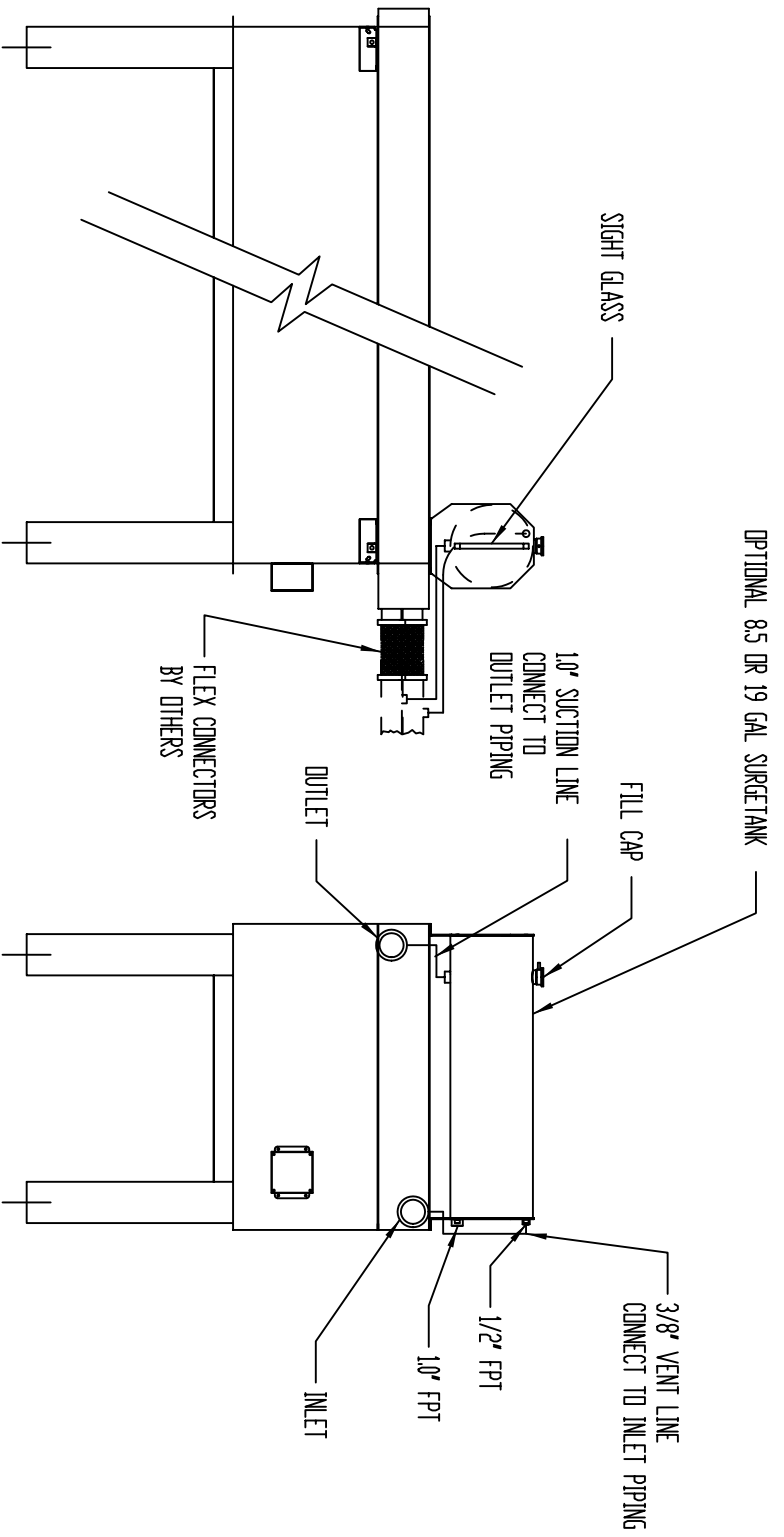
OPTIONAL 8.5 OR 19 GAL SURGETANK
(INSTALL SURGE TANK ON OUTLET END)

- MANIFOLD KIT INCLUDES:**
- (2) 4' MANIFOLD ASSY'S
 - (4) 25' PIPE 90° ELBOW FLEX MASTER COUPLING
 - (4) 25' FPT X 25' PIPE ADAPTORS

- NOTES:**
1. SUCTION LINE & VENT LINE TO BE SUPPLIED BY OTHERS
 2. SUPPORT OF MANIFOLD ASSY'S TO BE BY OTHERS

<p>THIS DOCUMENT AND THE DATA INCLOSED HEREAFTER IS NOT TO BE REPRODUCED, COPIED OR INCLOSED IN WHOLE OR IN PART TO ANYONE WITHOUT EXPRESS WRITTEN CONSENT OF ROCORE INDUSTRIES, INC.</p>	<p>TOLERANCES UNLESS OTHERWISE SPECIFIED</p>	
	<p>FABRICATING X = .004 X1 = .008 X2 = .012 X3 = .015</p>	<p>WORKING X = .015 X1 = .030 X2 = .045</p>
<p>DRAWN BY K. HACKBARTH</p>	<p>DATE 05/10/02</p>	<p>SIZE A</p>
<p>FIG. SCALE 1/40</p>	<p>DESCRIPTION RH015-045.1 PASS.CI/MN.ASSM</p>	
<p>ROCORE INDUSTRIES, INC.</p>		
<p>PART NO. AD00050</p>		
<p>REV. FILE AD00050</p>		

SURGE TANK INSTALLATION

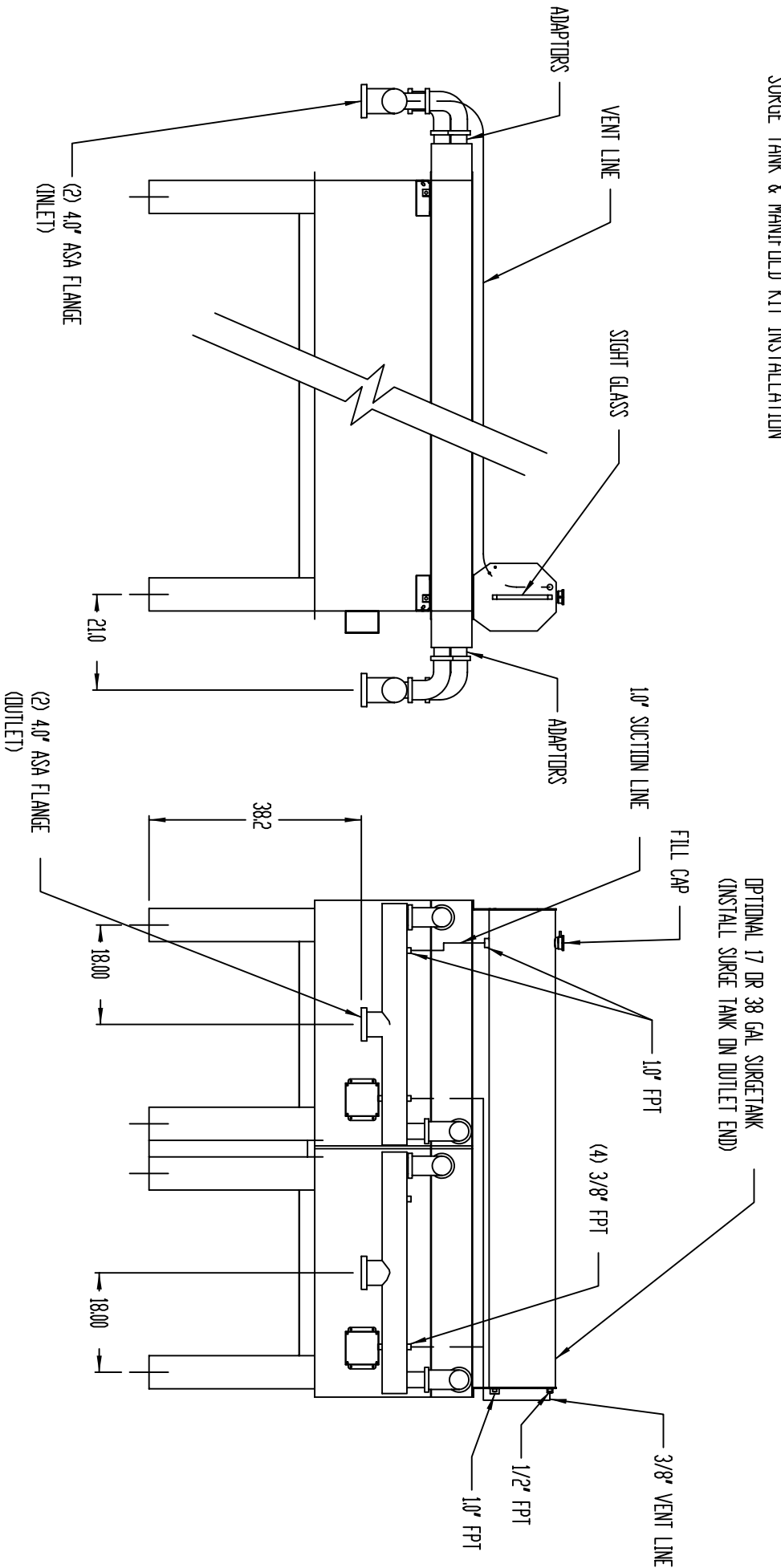


NOTES:
 1. SUCTION LINE & VENT LINE TO BE SUPPLIED BY OTHERS

THIS DOCUMENT AND THE DATA INCLOSED HEREAFTER IS NOT TO BE REPRODUCED, COPIED OR INCLOSED IN WHOLE OR IN PART TO ANYONE WITHOUT EXPRESS WRITTEN CONSENT OF ROCORE INDUSTRIES, INC.	TOLERANCES UNLESS OTHERWISE SPECIFIED FABRICATING X = .004 X1 = .003 X2X = .005 WELDING X = .005 X1 = .003 X2X = .005	DATE 06/10/02 DRAWN BY K. HACKBARTH
	PART NO. AD00055 DESCRIPTION RH015-045,2,4,8 PASS CONN/ASSM	SIZE A FILE AD00055

ROCORE
 INDUSTRIES, INC.

SURGE TANK & MANIFOLD KIT INSTALLATION

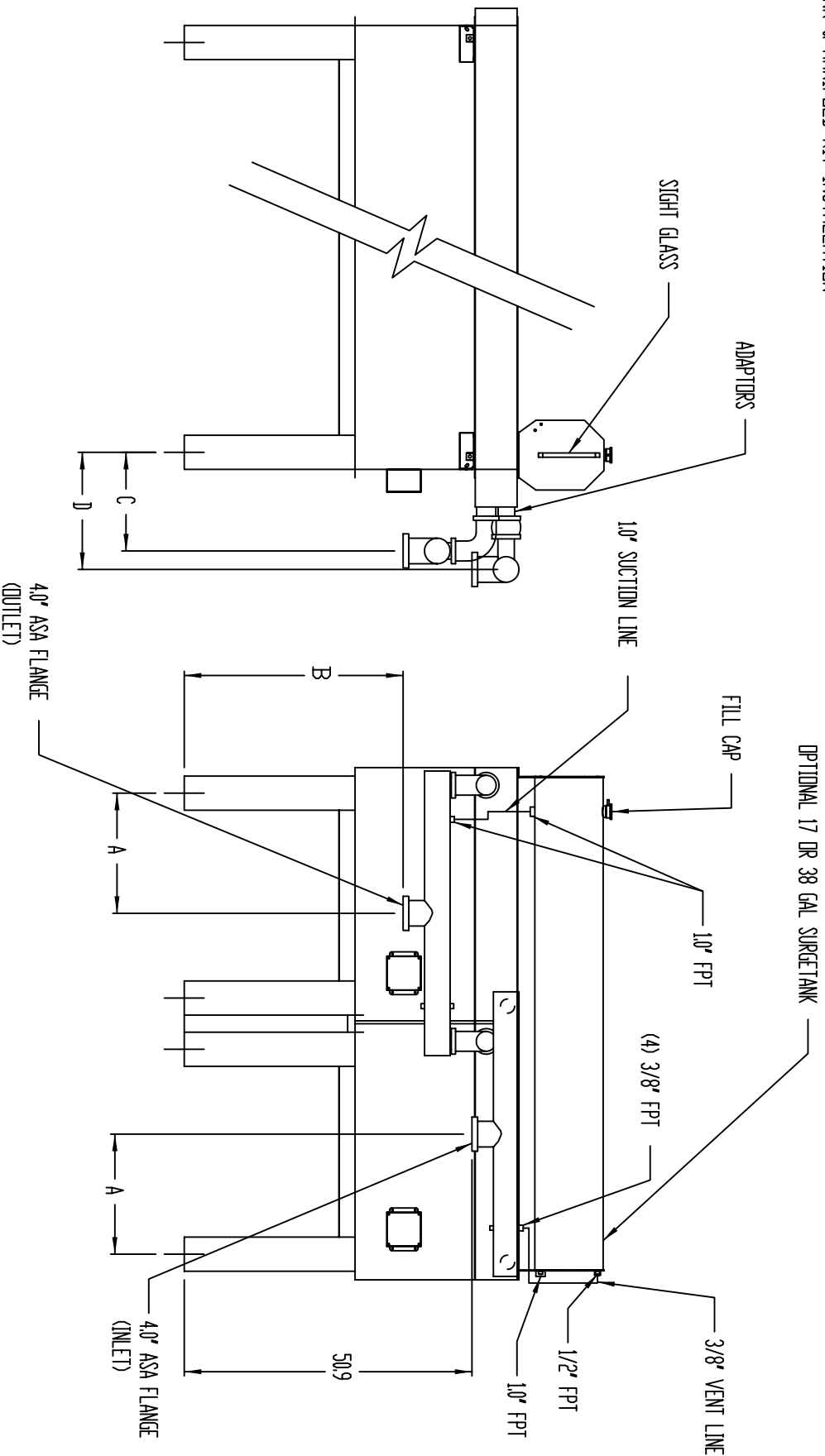


- MANIFOLD KIT INCLUDES:
- (4) 4' MANIFOLD ASSY'S
 - (8) 25' PIPE 90° ELBOW FLEX MASTER COUPLING
 - (8) 25' FPT X 25' PIPE ADAPTORS

- NOTES:
1. SUCTION LINE & VENT LINE TO BE SUPPLIED BY OTHERS
 2. SUPPRT OF MANIFOLD ASSY'S TO BE BY OTHERS

<p>THIS DOCUMENT AND THE DATA DISCLOSED HEREIN IS NOT TO BE REPRODUCED, COPIED OR INCORPORATED IN WHOLE OR IN PART TO ANYONE WITHOUT EXPRESS WRITTEN CONSENT OF RECORE INDUSTRIES, INC.</p>	<p>TOLERANCES UNLESS OTHERWISE SPECIFIED</p>	<p>RECORE INDUSTRIES, INC.</p>
	<p>FABRICATING X = .004 X1 = .008 X2 = .012 X3 = .015</p>	
<p>DRAWN BY K. HACKBARTH</p>	<p>DATE 05/10/02</p>	<p>PROJECT NO. AD00049</p>
<p>FILED SCALE 1/40</p>	<p>SIZE A</p>	<p>DESCRIPTION RH055-065.1 PASS CONN ASSY</p>

SURGE TANK & MANIFOLD KIT INSTALLATION



- MANIFOLD KIT INCLUDES:**
- (2) 4' MANIFOLD ASS'YS
 - (2) 25' PIPE STRAIGHT FLEXMASTER COUPLING
 - (2) 25' PIPE 90° ELBOW FLEX MASTER COUPLING
 - (4) 1/2" FPT X 25' PIPE ADAPTORS

- NOTES:**
1. SUCTION LINE & VENT LINE TO BE SUPPLIED BY OTHERS
 2. SUPPORT OF MANIFOLD ASS'YS TO BE BY OTHERS

PASS	A	B	C	D	E
2	211	38.2	21.0	24.4	2.5
4	208	38.1	18.0	21.4	2.5
8	20.5	39.5	17.7	20.1	2.0

RECORE INDUSTRIES, INC.

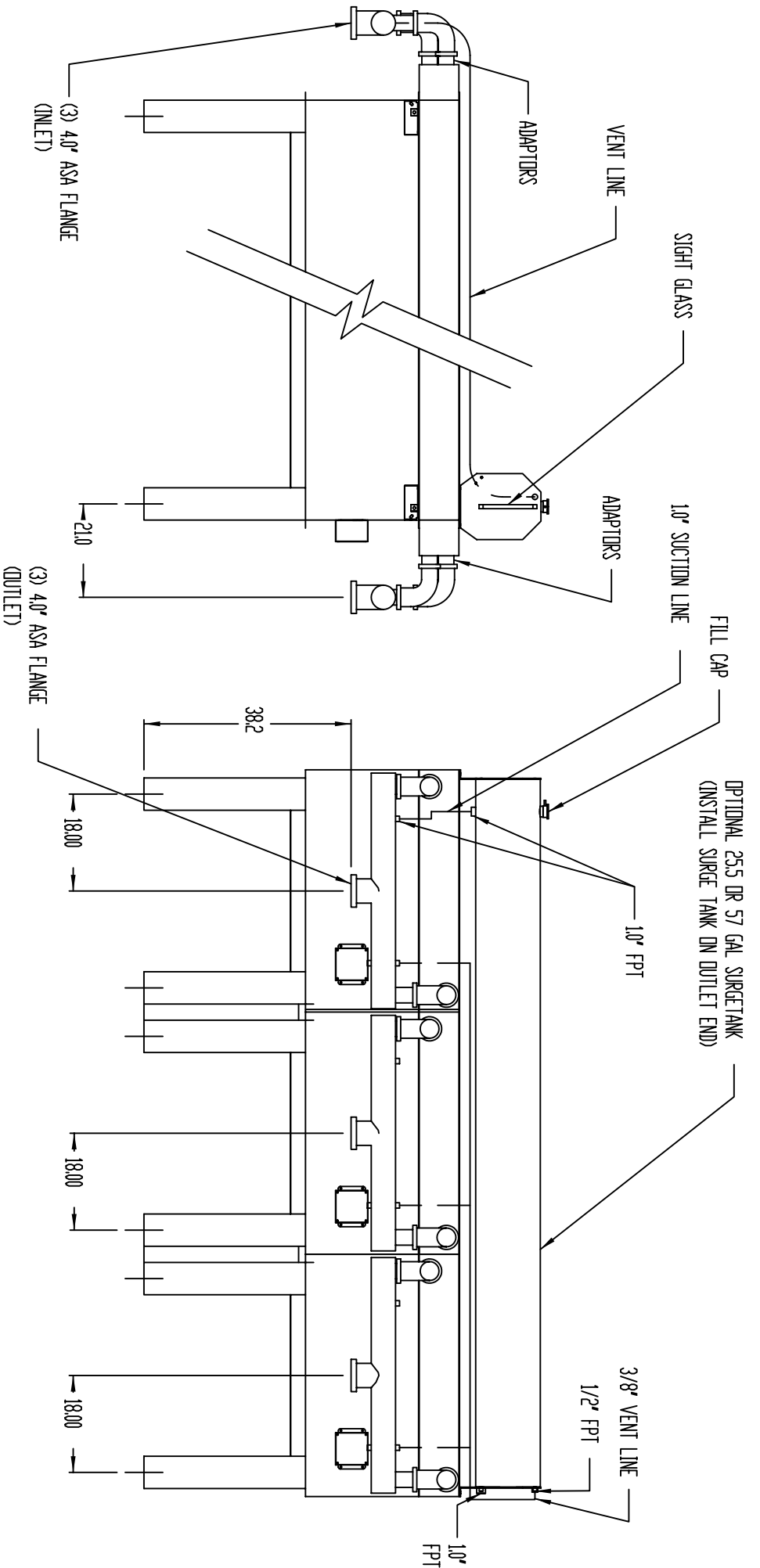
THIS DOCUMENT AND THE DATA INCLOSED HEREIN IS NOT TO BE REPRODUCED, COPIED OR DISCLOSED IN WHOLE OR IN PART TO ANYONE WITHOUT EXPRESS WRITTEN CONSENT OF RECORE INDUSTRIES, INC.

TOLERANCES UNLESS OTHERWISE SPECIFIED

FABRICATING X = .003
MACHINING X = .005
X1 = .010
X2 = .015
X3 = .020

DATE: 03/06/02
DRAWN BY: K. HACKBARTH
FILE: ADJ0051
SIZE: A
DESCRIPTION: RH055-085.2.4.8 PASS.CDNV.ASSM

SURGE TANK & MANIFOLD KIT INSTALLATION

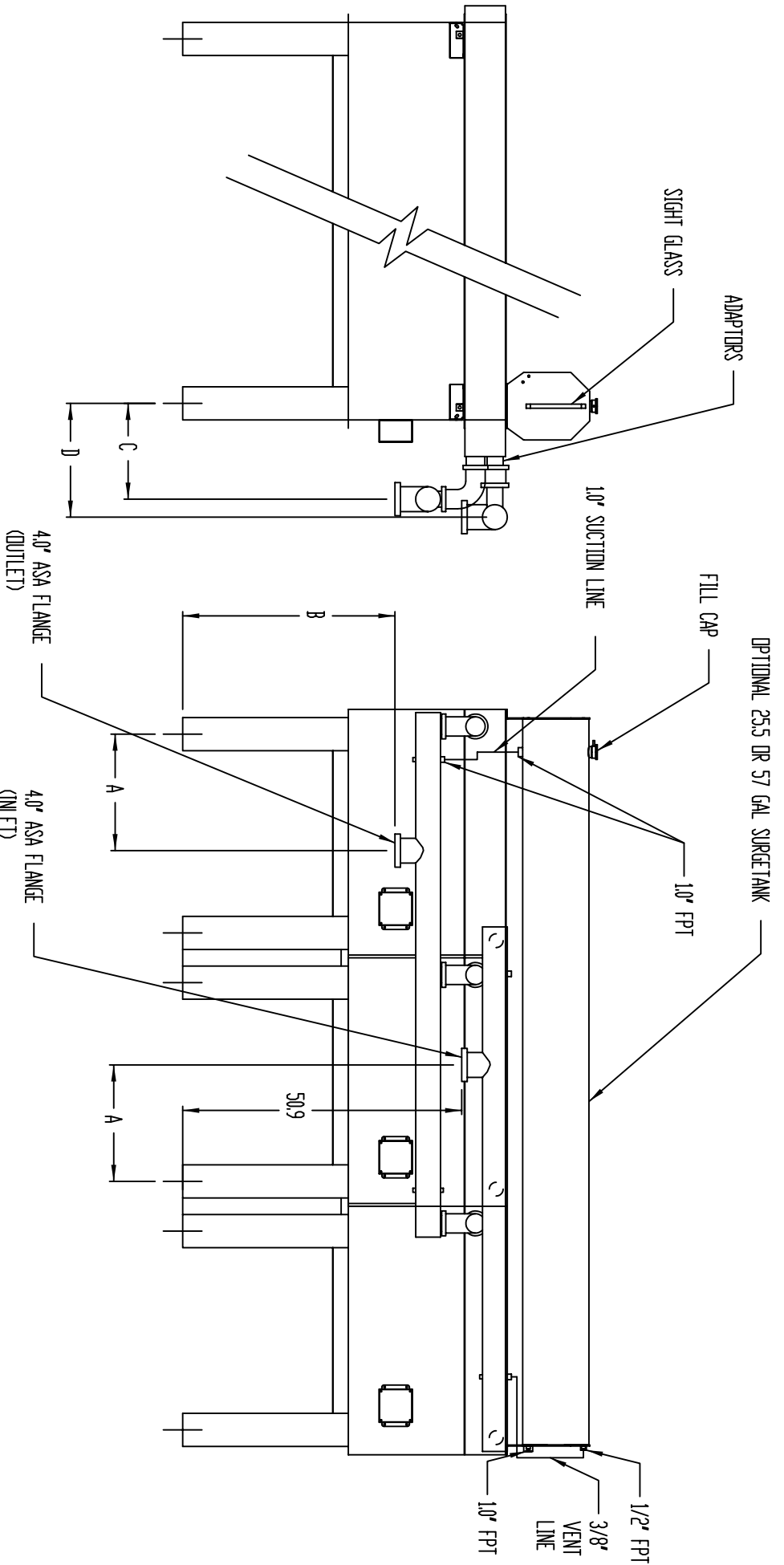


- MANIFOLD KIT INCLUDES:
- (6) 4' MANIFOLD ASSYS
 - (12) 25' PIPE 90° ELBOW FLEX MASTER COUPLING
 - (12) 25' FPT X 25' PIPE ADAPTORS

- NOTES:
1. SUCTION LINE & VENT LINE TO BE SUPPLIED BY OTHERS
 2. SUPPORT OF MANIFOLD ASSYS TO BE BY OTHERS

THIS DOCUMENT AND THE DATA INCLOSED HEREAFTER IS NOT TO BE REPRODUCED, USED OR DISCLOSED IN WHOLE OR IN PART TO ANYONE WITHOUT EXPRESS WRITTEN CONSENT OF RECORE INDUSTRIES, INC.	TOLERANCES UNLESS OTHERWISE SPECIFIED FABRICATING X = .004 X1 = .003 X2 = .002 XXX = .001	WELDING X = .005 X1 = .004 X2 = .003 XXX = .002	DATE 05/10/02	DRAWN BY K. HACKBARTH
	RECORE INDUSTRIES, INC. PART NO. AD00052 REVISION RH105-135.1 PASS.CINM.ASSM	SIZE A	FILE SCALE 1/40	CDR FILE AD00052

SURGE TANK & MANIFOLD KIT INSTALLATION



- MANIFOLD KIT INCLUDES:
- (2) 4' MANIFOLD ASSY'S
 - (3) 25' PIPE STRAIGHT FLEXMASTER COUPLING
 - (3) 25' PIPE 90° ELBOW FLEX MASTER COUPLING
 - (6) 1/2" FPT X 25' PIPE ADAPTORS

- NOTES:
- 1. SUCTION LINE & VENT LINE TO BE SUPPLIED BY OTHERS
 - 2. SUPPORT OF MANIFOLD ASSY'S TO BE BY OTHERS

PASS	A	B	C	D	E
2	211	38.2	21.0	24.4	2.5
4	208	38.1	18.0	21.4	2.5
8	205	39.5	17.7	20.1	2.0

THIS DOCUMENT AND THE DATA INCLOSED HEREIN IS NOT TO BE REPRODUCED, COPIED OR INCLOSED IN WHOLE OR IN PART TO ANYONE WITHOUT EXPRESS WRITTEN CONSENT OF RECORE INDUSTRIES, INC.

TOLERANCES UNLESS OTHERWISE SPECIFIED

FABRICATING X = .004
MACHINING X = .005
XXX = .005

DATE: 03/06/02
DRAWN BY: K. HACKBARTH
PLT SCALE: 1/40
SIZE: A

RECORE INDUSTRIES, INC.
PART NO: AD00053
DESCRIPTION: RH105-135,2,4,8 PASS,CONV,ASSM
REV FILE: AD00053